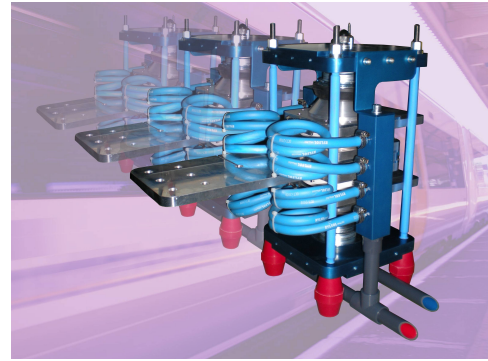


PRELIMINARY TECHNICAL INFORMATION

HIGHLIGHTS

- strong reliability
- ruggedness
- good short circuit behaviour
- high voltage ratings
- water cooled
- driver system included
- fuse less design

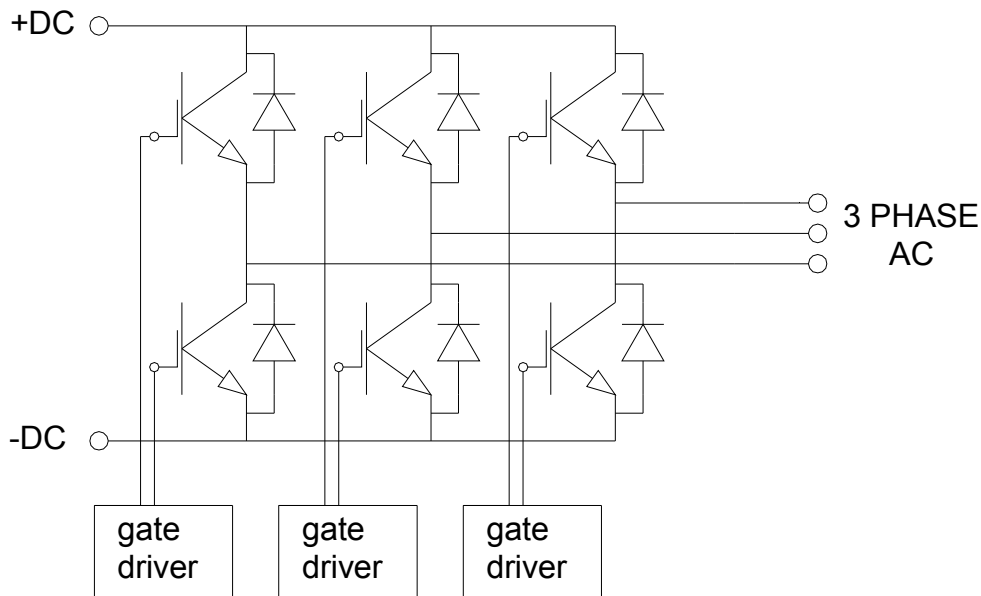


Non-contractual photo

ABOUT SP SERIES

RECTIFICADORES GUASCH S.A. offers the IGBT assemblies in press pack format. Press pack IGBTs reduce the explosion risk, improve power cycling performance as well as provide better short circuit behaviour compared with modules. Also the stray inductance in both gate and emitter connections is reduced. SP stacks are built with 2500V & 4500V IGBTs, suitable for wide range of high power IGBT assemblies.

The modular system allows different topologies, covering a wide range of applications like induction heating, traction applications, high power inverters, HVDC transmission, active VAr controllers, medium and high voltage drives. The assemblies are totally stackable, maintaining in this way a single input/output water flux, with low pressure drop.



POWER STACK GENERAL CHARACTERISTICS

Description	symbol	notes/test conditions	Min	Typ	Max	Units
IGBT maximum junction temperature	T_{Jmax}				125	°C
IGBT switching conditions temp.	$T_{J(sw)}$		-40		125	°C
storage temperature	T_{stg}		-40		85	°C
operating temperature	T_{op}		-25		85	°C
voltage applied to DC-link	V_{DClink}				2800	V_{DC}
power-to-control isolation voltage	V_{ISOp-c}	50 Hz @1min/ note 1	10500			V_{AC}
power-to-housing isolation voltage	V_{ISOp-g}	50 Hz @1min/ note 2	10000			V_{AC}
weight (aprox)				90		kg

COOLING SYSTEM CHARACTERISTICS

Description	Typical	Units
type	Liquid cooled heatsink	
refrigeration fluid	Ethylene glycol 30%	
total flow rate	45-50	l/min

IGBT MODULE ELECTRICAL CHARACTERISTICS

Description	symbol	notes/test conditions	Min	Typ	Max	Units
collector-emitter Voltage	V_{CE}				4500	V
DC collector current	I_{Cnom}	$T_{HK}=55^{\circ}C$			1800	A
repetitive peak collector current	I_{CRM}	$t_p=1ms, T_J=125^{\circ}C$			3000	A
power dissipation (per device)	P_{DISS}	$T_{HK}=25^{\circ}C$			20	kW
collector-emitter saturation voltage	V_{CEsat}	$I_c=1800 A, T_J=125^{\circ}C$		4,7		V

ENVIRONMENT SPECIFICATIONS

Description	
protection grade (EN-60529 / CEI529 / UNE-20324)	IP-00
humidity max.	50% RH @ 35°C / 90% RH @ 20°C
pollution degree	III

MOUNTING CONSIDERATIONS

It's recommended a minimum distance of 100 mm with regard to the envelope. The free air circulation should be guaranteed. Avoiding the heat sources of nearby to assembly. In the real applications it is important to consider a safety margin with regarding the working current, we recommend a margin of the 20%. For critical cases (24 hours work, repetitive overloads...), margins of the 30% to 50% are used.

note 1: This isolation voltage is referred to the minimum isolation voltage between any control/feedback signal (PWM, reset fault, feedback sensor signals and supply of boards) and any power voltage (DC input, AC output).

note 2: This isolation voltage is referred to the minimum electrical isolation between any power connection (DC input, AC output) and any point that could be used to fix the assembly inside a cabinet or in a support structure.

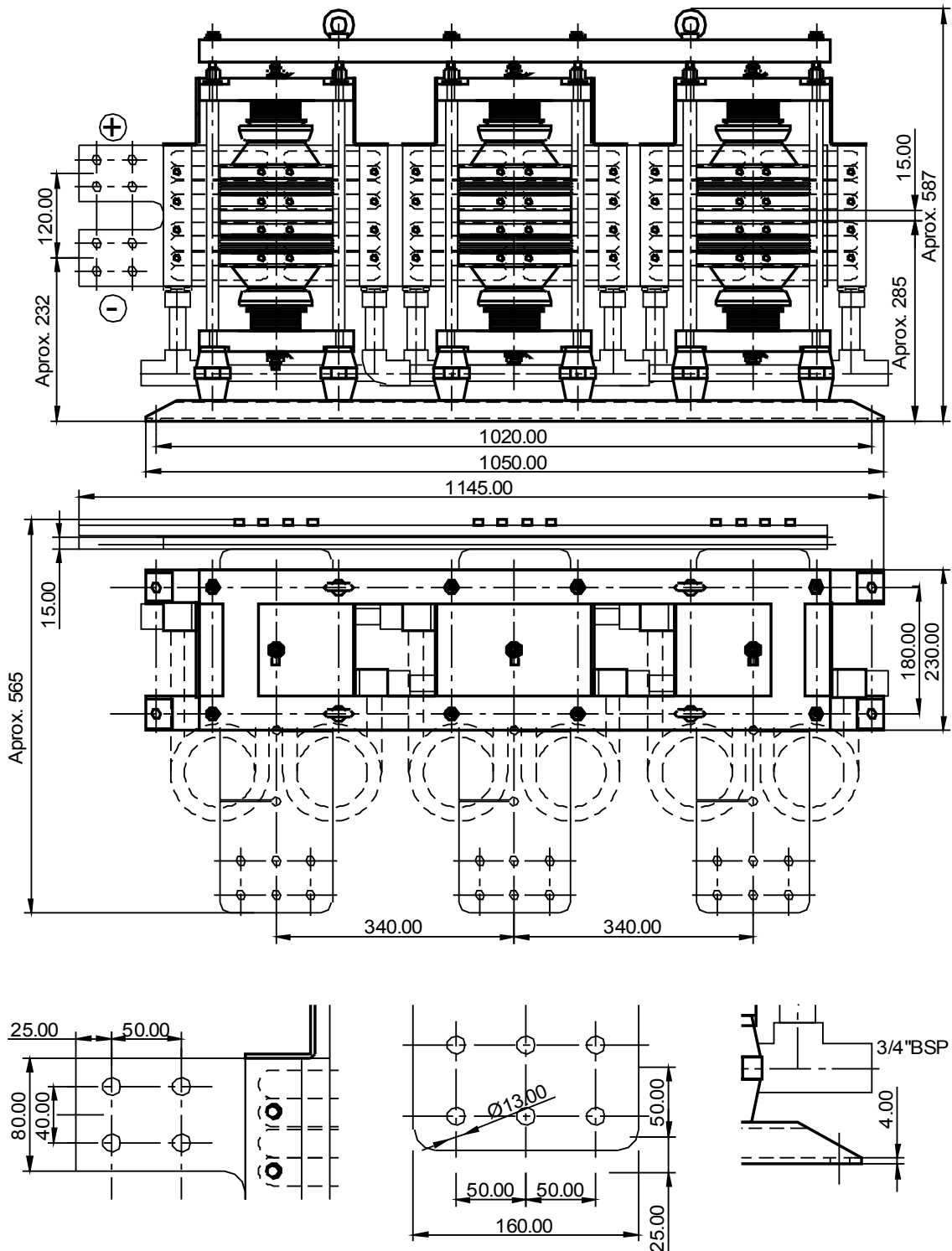
RECTIFICADORES GUASCH, S.A.

Ciutat de Granada, 80
08005 BARCELONA
SPAIN

Se reserva el derecho de cambiar los límites, las condiciones de prueba y dimensiones indicadas en esta hoja sin previo aviso.
Reserves the right to change limits, test conditions and dimensions given in this data sheet at any time without previous notice.

Tel.: +34 93 309 88 91
Fax.: +34 93 300 18 41
e-mail: info@e-guasch.com
www.e-guasch.com

MECHANICAL DIMENSIONS



RECTIFICADORES GUASCH, S.A.
 Ciutat de Granada, 80
 08005 BARCELONA
 SPAIN

Se reserva el derecho de cambiar los límites, las condiciones de prueba y dimensiones indicadas en esta hoja sin previo aviso.
 Reserves the right to change limits, test conditions and dimensions given in this data sheet at any time without previous notice.

Tel.: +34 93 309 88 91
 Fax.: +34 93 300 18 41
 e-mail: info@e-guasch.com
 www.e-guasch.com

DRIVER BOARD CHARACTERISTICS

driver system used: Inpower 1IPSE1A45-105

BRIEFING

- Smart switching with variable gate resistors
- Tuned according to the application
- Reliable protection against
 - over-current in all short circuit conditions
 - over-voltage during turn-off
- Advanced control and protection functions
 - four level desaturation monitoring
 - two level di/dt monitoring
 - feedback clamping with active function
 - multiple soft shut down
 - supply voltage monitoring
 - digital input filter for switching signals
- DC/DC converter included

ELECTRICAL CHARACTERISTICS

Description	symbol	notes	Min	Typ	Max	Units
supply voltage	V_{CC}		14		30	V
input PWM driving signal		optical		660		nm
output fault signal		optical		660		nm
maximum switching frequency	f_{sw}				833	Hz
turn-on delay time	t_{pdON}			400		ns
turn-off delay time	t_{pdOFF}			400		ns
typical time of soft shut down	t_{SSD}			1-2		μ s
max. system time between fault detection and error notification	t_{SYS}				100	ns
time between detection of desaturation and gate voltage falling edge	t_{pDES}			300		ns

CONNECTORS

optical receiver	HFBR-2531Z (Avago)
optical transmitter	HFBR-1531Z (Avago)
DC supply on PCB	FKC 2,5/2-STF-5,08 (Phoenix)

RECTIFICADORES GUASCH, S.A.

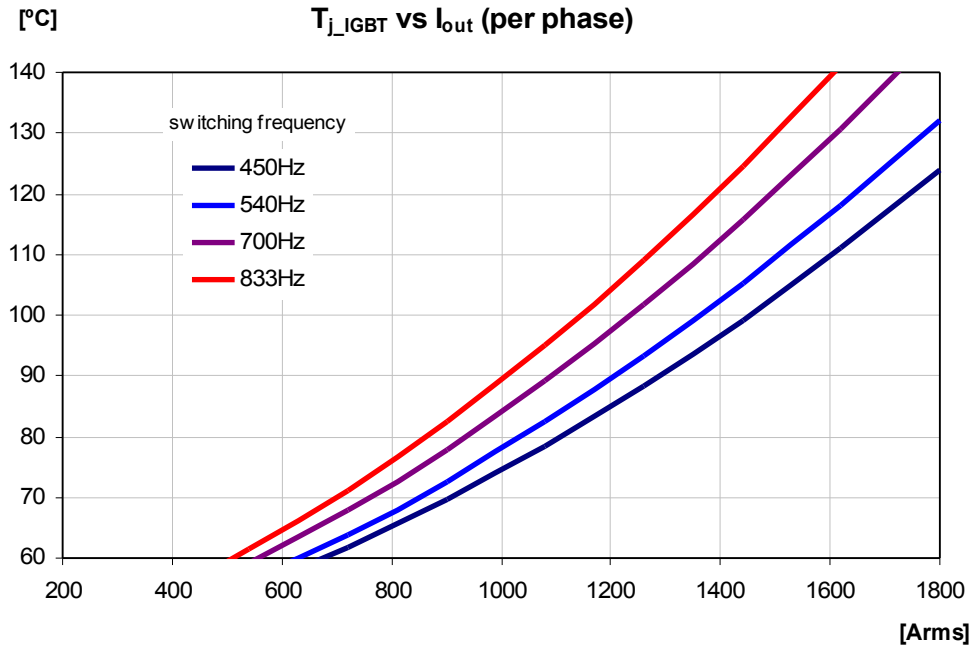
Ciutat de Granada, 80
08005 BARCELONA
SPAIN

Se reserva el derecho de cambiar los límites, las condiciones de prueba y dimensiones indicadas en esta hoja sin previo aviso.
Reserves the right to change limits, test conditions and dimensions given in this data sheet at any time without previous notice.

Tel.: +34 93 309 88 91
Fax.: +34 93 300 18 41
e-mail: info@e-guasch.com
www.e-guasch.com

PERFORMANCE CURVES

The following curves shows the inner chip temperature of the IGBT as a function of the output current, (when the stack works as an three phase inverter) with the switching frequency as a parameter



Condition	Symbol	Value	Units
ambient temperature	T _A	40	°C
DC-link Voltage	V _{DClink}	2700	V
total flow rate	Q	48	l/min
load power factor	PF	0,85	
modulation index	m	1	
output frequency	f _{OUT}	50	Hz

ANOTACIONES EN LA HOJA DE ESPECIFICACIONES:

RECTIFICADORES GUASCH, S.A. utiliza la siguiente anotación para identificar el estado del producto, en el lado izquierdo de la primera página:

PRELIMINARY TECHNICAL INFORMATION: El producto se encuentra en proceso de diseño y desarrollo. La información presenta los datos del producto pero algunas características pueden cambiar.

ADVANCED TECHNICAL INFORMATION: El producto se encuentra totalmente diseñado y las características se refieren a la fabricación en serie.

Sin anotación: Los parámetros del producto están fijados y se suministra de acuerdo con las especificaciones publicadas.

Los datos indicados en esta publicación corresponden a especificaciones de producto, queda excluida cualquier garantía expresa o implícita sobre sus propiedades o su aplicación, así como cualquier responsabilidad sobre daños directos o indirectos producidos por los materiales o resultantes de su aplicación. La empresa se reserva el derecho de realizar cambios en las especificaciones de los productos sin previo aviso. La información respecto a métodos de uso y aplicaciones se indica sólo como guía y no constituye garantía alguna de funcionamiento satisfactorio en un determinado equipo o aplicación. Es responsabilidad del usuario determinar la idoneidad del producto para su aplicación utilizando la información disponible y asegurarse de que la misma esta actualizada.

Cualquier nombre de producto o marca usada en esta publicación corresponde a marcas depositadas, marcas registradas o nombres protegidos por sus respectivos propietarios.

DATASHEET ANNOTATIONS:

RECTIFICADORES GUASCH, S.A. annotate datasheets in the left corner of the front page, to indicate product status:

PRELIMINARY TECHNICAL INFORMATION: The product is in design and development. The datasheet represents the product as it is understood but details may change.

ADVANCED TECHNICAL INFORMATION: The product design is complete and final characterisation for volume production is well in hand.

No Annotation: The product parameters are fixed and the product is available to datasheet specification.

The technical data are to specify components, not to guarantee their properties. No warranty or guarantee expressed or implied is made regarding delivery or performance. The Company reserves the right to alter without prior notice the specification of any product. Information concerning possible methods of use is provided as a guide only and does not constitute any guarantee that such methods of use will be satisfactory in a specific piece of equipment. It is the user's responsibility to fully determine the performance and suitability of any equipment using such information and to ensure that any publication or data used is up to date.

All brand names and product names used in this publication are trademarks, registered trademarks or trade names of their respective owners.

DATASHEET ANNOTATIONS:

RECTIFICADORES GUASCH, S.A. Indiqué dans la notice technique a la part inferieur à gauche le suivant pour vous informer de la situation du produits

PRELIMINARY TECHNICAL INFORMATION: Le produit est dans la conception et le développement. La notice technique représente le produit comme il a été conçu mais les détails peuvent changer.

ADVANCED TECHNICAL INFORMATION: La conception de produit est fini et la notice technique est comme il a été conçu pour la fabrication.

Sans annotation: La notice technique indique que le produit est selon la même

Les donnes indiqués dans la notice technique sont conformément aux spécifications des composants, sont exclues toutes autres conditions ou garanties exprimées ou implicites concernant la qualité et le bon fonctionnement des matériels, ainsi que toute responsabilité pour les dommages causés directement ou indirectement par les matériels ou résultant de leur utilisation. Nous nous réservons la possibilité de changement sans notification. L'information à propos des méthodes possibles d'usage est fournie comme un guide conformément aux spécifications et instructions et ne constitue pas garantie que telles méthodes d'usage sera satisfaisant dans un morceau spécifique d'équipement. C'est la responsabilité de l'Acheteur déterminer l'exécution et l'aptitude du produit et s'assure qu'il a la dernière mise à jour de la notice technique.

Des noms de marque et produit utilisés dans cette publication sont enregistrées et propriété de leurs propriétaires respectifs.

© RECTIFICADORES GUASCH, S.A.

DOCUMENTACION TECNICA, TECHNICAL DOCUMENTATION, DOCUMENTATION TECHNIQUE

PRODUCIDO EN ESPAÑA, PRODUCED IN SPAIN, PRODUIT EN ESPAGNA

PROHIBIDA SU VENTA, NOT FOR SALE, PAS A VENDRE

Your Needs, Our Solutions

RECTIFICADORES GUASCH, S.A.

Ciutat de Granada, 80
08005 BARCELONA
SPAIN

Se reserva el derecho de cambiar los límites, las condiciones de prueba y dimensiones indicadas en esta hoja sin previo aviso.
Reserves the right to change limits, test conditions and dimensions given in this data sheet at any time without previous notice.

Tel.: +34 93 309 88 91

Fax.: +34 93 300 18 41

e-mail: info@e-guasch.com

www.e-guasch.com