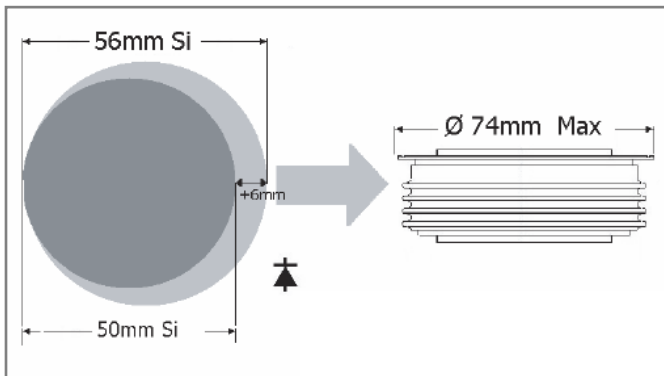


Tel. +34 933 098 891
 Fax. +34 933 001 841
 email info@e-guasch.com
 website www.e-guasch.com

RECTIFICADORES GUASCH, S.A.
 CIUTAT DE GRANADA, 80
 08005 BARCELONA
 ESPAÑA

Nuevas incorporaciones a la eficiencia energética

Fragmento de Westcode (IXYs), versión inglés.



“Westcode Semiconductors Limited (An IXYS Company) announces additions to its range of energy efficient 50mm pole rectifiers diodes. The introduction of four new devices expands the voltage range to include products from 300V to 6kV. These new additions offer maximum performance within confines of industry standard footprint. Minimising material content and maximising power.

The average current rating represents a 50% increase over contemporary products of the same voltage and overall package size. Improved performance is achieved by maximising the active silicon area and an improved vertical structure. In addition to the increased average current rating, the device also offers enhanced surge ratings and can be supplied to special order in an explosion rated housing. The new introductions are available in four voltage classes; 300V to 600V, 1.2kV to 1.5kV, 1.8kV to 2.2kV and 5.2kV – complementing the five devices already introduced.

Type	Part No.	V _{RRM} V	I _{FAV} T _K =55°C A	I _{FSM} 10ms ½ sine V _R ≤ 60% V _{RRM} kA	I ² t V _R ≤ 60% V _{RRM} A ² s	V _{TO} @T _{JM} V	r _T mΩ	T _{JM} °C	R _{thJK}	
									180° Sine K/W	120° Rect. K/W
New	W2115MC600	5200 to 6000	2115	20.3	2.06E+06	0.908	0.440	150	0.014	0.016
	W2899MC480	3200 to 4800	2899	25.4	3.23E+06	0.996	0.222	160	0.014	0.016
	W3082MC450	4200 to 4500	3082	26.5	3.51E+06	0.947	0.195	160	0.014	0.016
	W3477MC400	3600 to 4000	3477	28.5	4.06E+06	0.918	0.144	160	0.014	0.016
	W3708MC350	3200 to 3500	3708	31	4.81E+06	0.894	0.123	160	0.014	0.016
	W3842MC280	1600 to 2800	3842	35.1	6.16E+06	0.831	0.118	160	0.014	0.016
New	W4767MC220	1800 to 2200	4767	39	7.16E+06	0.819	0.083	175	0.014	0.016
New	W5636MC150	1200 to 1500	5636	46	1.06E+07	0.698	0.059	175	0.014	0.016
New	W7045MC060	300 to 600	7045	54	1.46E+07	0.793	0.033	190	0.014	0.016

Increasing the power for weight of these rectifier diodes aids in the design of smaller and lighter power systems in mobile applications such as the front-end rectifiers in Traction main drives, plus Marine and off-shore applications.

Additionally the devices are suitable for all front-end and general rectification applications, such as track-side substations and power conversion, offering a highly competitive cost per ampere ratio.”

Persona de contacto del artículo:

Carlos Bausà
Rectificadores Guasch, S.A.
c.bausa@e-guasch.com