

HIGHLIGHTS

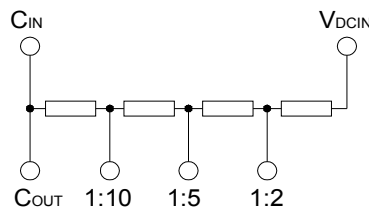
- Easy and simple
- High reliability
- Low cost
- Up to 2000V_{DC} input
- Only for industrial use
- 3 outputs (1:10, 1:5 & 1:2 V_{DCIN})



non-contractual photo

SCDV1052 is a simple resistive voltage divider for general feedback applications without galvanic isolation. Closed feedback applications are possible up to 2000V_{DC} working voltages, avoiding dangerous voltages in the control circuits. Capsule design offers a high mechanical reliability for industrial applications.

INTERNAL SCHEME



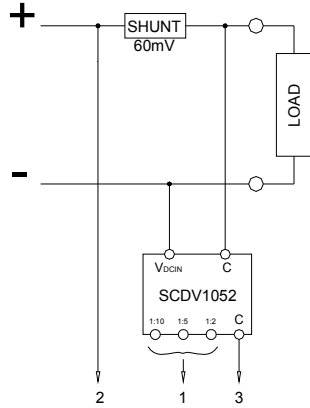
GENERAL DATA

INPUT DATA		Value	Tolerance
Maximum input voltage		2000 V _{DC}	
Minimum recommended input voltage		100V _{DC}	
Nominal input impedance		2,2x10 ⁶ Ohms	±5%
OUTPUT DATA		Value	Tolerance
1:2 out		V _{DCIN} /2	±10%
Nominal output impedance		1,1x10 ⁶ Ohms	±5%
1:5 out		V _{DCIN} /5	±10%
Nominal output impedance		440x10 ³ Ohms	±5%
1:10 out		V _{DCIN} /10	±10%
Nominal output impedance		220x10 ³ Ohms	±5%
TERMINAL SPECIFICATIONS			
Input & output		2,8x0,8 male Fast-on plug	
ENVIRONMENT SPECIFICATIONS			
Protection grade (EN-60529 / CEI529 / UNE-20324)		IP-00	
Humidity max.		50% RH @ 35°C / 90% RH @ 20°C	
Pollution degree		III	
Isolation		2500 V _{RMS} / 1 min	
MECHANICAL SPECIFICATIONS			
Dimensions		20x92x30 mm.	
Mounting holes		2xØ5,3mm	
Approximate weight		80 grs.	

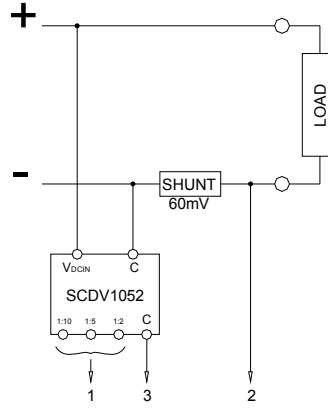
101203 Rev.:0

TYPICAL CIRCUIT APPLICATION

Application example for SC200x and SC600x circuit control boards.

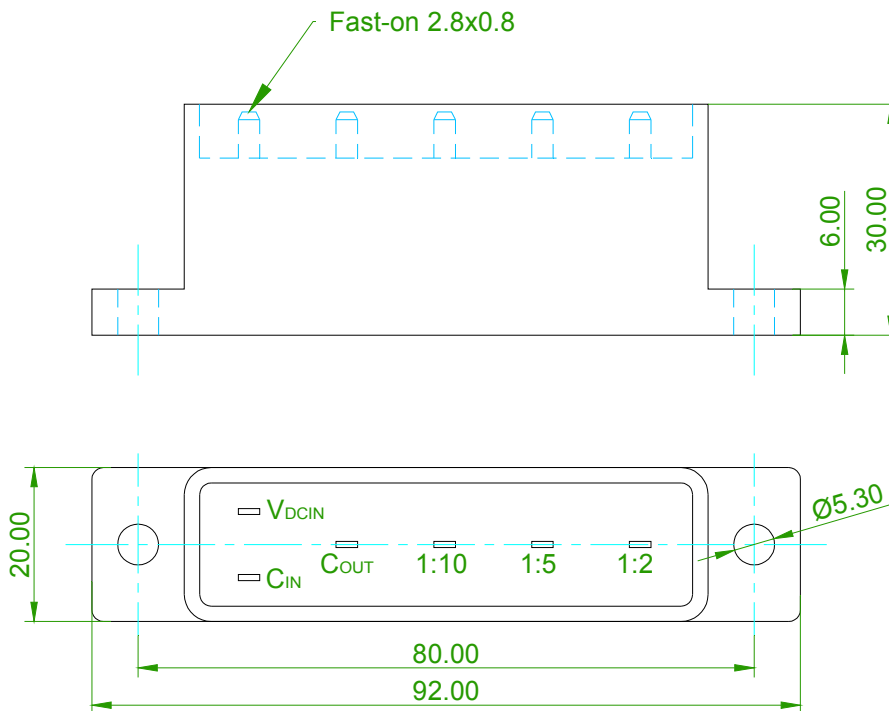


Shunt in positive line



Shunt in negative line

DIMENSIONS



Cost Effective Products

SEMICODE ELECTRONICA

Offers to the market a comprehensive range of products from recognized manufacturers at the best price/quality ratio, this products are provided with a basic reference code that allows maintaining the same product reference even if the original device manufacturer is replaced. SEMICODE product reference has to be considered as a generic brand.

Seeking the market needs and trends, we are constantly increasing the product portfolio with new products and suppliers, please ask for the updated information available to our local contacts.

SEMICODE products include semiconductors, passive components and accessories focused in power electronics market.

Datasheet Annotations:

SEMICODE ELECTRONICA annotate datasheets in the top left hard corner of the front page, to indicate product status. The annotations are as follows:

Tentative information: This is the most tentative form of information and represents a very preliminary specification. No actual design work on the product has been started.

Preliminary Information: The product is in design and development. The datasheet represents the product as it is understood but details may change.

Advance Information: The product design is complete and final characterisation for volume production is well in hand.

No Annotation: The product parameters are fixed and the product is available to datasheet specification.

NOTICE: The technical data are to specify components, not to guarantee their properties. No warranty or guarantee expressed or implied is made regarding delivery or performance. The Company reserves the right to alter without prior notice the specification of any product. Information concerning possible methods of use is provided as a guide only and does not constitute any guarantee that such methods of use will be satisfactory in a specific piece of equipment. It is the user's responsibility to fully determine the performance and suitability of any equipment using such information and to ensure that any publication or data used is up to date.

All brand names and product names used in this publication are trademarks, registered trademarks or trade names of their respective owners.