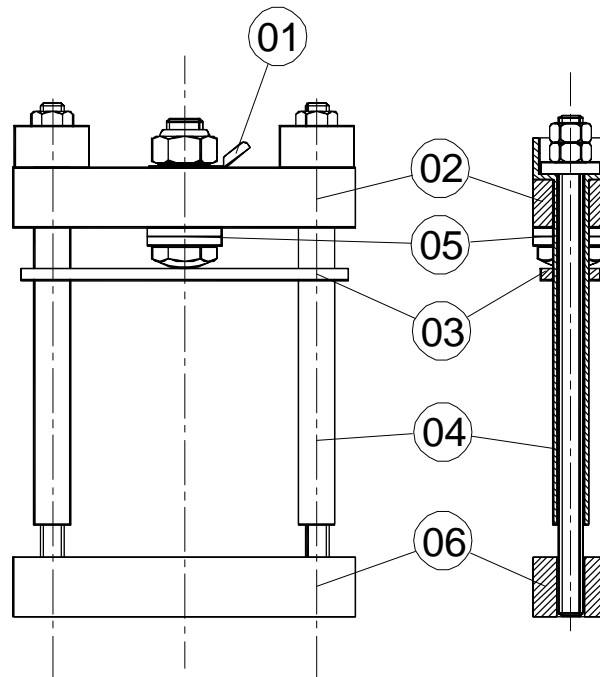
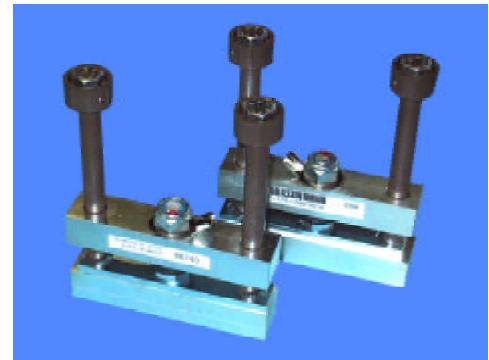


HIGHLIGHTS

- High reliability
- Corrosion protection zinc treatment (RoHS directive)
- Even pressure distribution.
- Easy mounting.
- Insulation 2500 V_{RMS}/1 min
- Clamping range available up to 4500 KgF.
- Clamping force tolerances: -5% +10%



01- PRESSURE INDICATOR

It indicates the moment in which the adequate pressure is being performed during the assembly (this pressure is the correct one when you can move the indicator slightly).

02- UPPER CLAMP

It supports the pressure set, it is manufactured in calibrated steel with a superficial protection.

03-UPPER DECK

Its function is to distribute the compression force on the surface, avoiding deformations in the aluminum and copper heatsinks (normally used).

04- ISOLATOR

It is a high performance resin piece it offers a high mechanical resistance, high voltage isolation and high working temperature. (Highest working temperature recommended 130°C)

05- PRESSURE SYSTEM

It is provided with a high precision calibration from factory. It should not be manipulated under any concept

06- LOWER CLAMP & RODS

It supports the rods, it is manufactured in calibrated steel with a superficial protection.

060330

RECTIFICADORES GUASCH, S.A.

Ciutat de Granada, 80
08005 BARCELONA
SPAIN

Se reserva el derecho de cambiar los límites, las condiciones de prueba y dimensiones indicadas en esta hoja sin previo aviso.
Reserves the right to change limits, test conditions and dimensions given in this data sheet at any time without previous notice.

Tel.: +34 93 309 88 91
Fax.: +34 93 300 18 41
e-mail: info@e-guasch.com
www.e-guasch.com

STANDARD TYPES

| TYPE | Fixing Centres | Rod size | Max. capsule Ø | F min. (kgF) | F. max (kgF) | Hole Ø | Standard F. |
|-------------|----------------|----------|----------------|--------------|--------------|--------|---------------------|
| RGCK01D | 70 mm. | M8 | 57 mm. | 300 | 1000 | 13 mm. | 450-800 |
| RGCK01F (1) | 89 mm. | M8 | 76 mm. | 300 | 1500 | 13 mm. | 450-800-1200-1500 |
| RGCK01F (2) | 89 mm. | M8 | 76 mm. | 1501 | 3000 | 13 mm. | 1800-2200-2700 |
| RGCK01L (1) | 100 mm. | M8 | 87 mm. | 300 | 1500 | 13 mm. | 450-800-1200-1500 |
| RGCK01L (2) | 100 mm. | M8 | 87 mm. | 1501 | 3000 | 13 mm. | 1800-2200-2700 |
| RGCK01N (1) | 102 mm. | M8 | 89 mm. | 300 | 1500 | 13 mm. | 450-800-1200-1500 |
| RGCK01N (2) | 102 mm. | M8 | 89 mm. | 1501 | 3000 | 13 mm. | 1800-2200-2700 |
| RGCK01U | 132 mm. | M10 | 117 mm. | 2000 | 4800 | 15 mm. | 3000-3500-4000-4500 |
| RGCK01Y | 140 mm. | M10 | 125 mm. | 2000 | 6500 | 15 mm. | 3000-3500-4000-4500 |

(1): 16 mm clamp load bar thickness.

(2): 20 mm clamp load bar thickness.

DIMENSIONS AND ORDERING INFORMATION

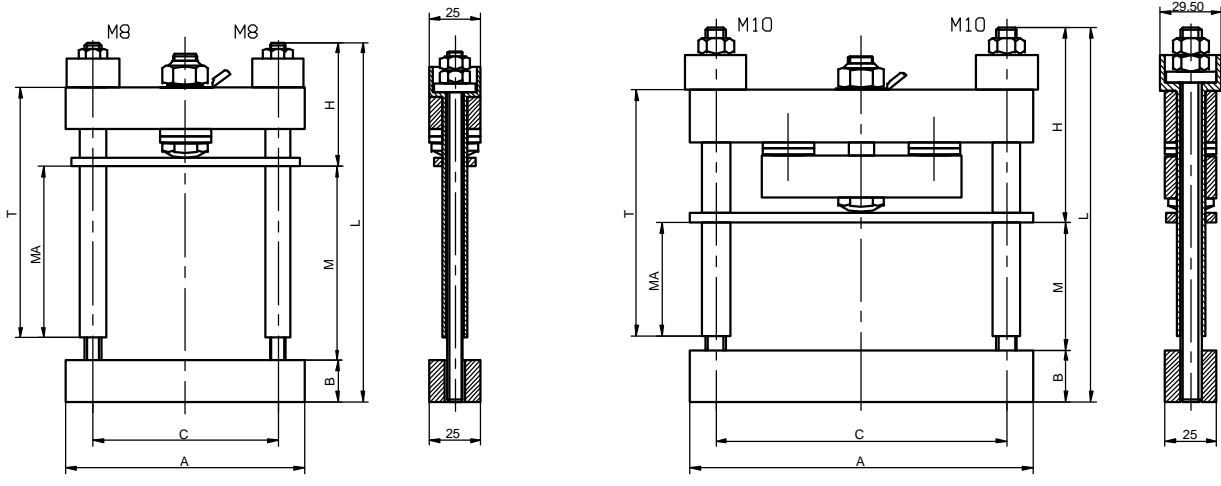


Fig. 1

Fig. 2

DATA CALCULATION TABLE

| TIPO/TYPE | D | E | H max. | M max. | MA max | A | B | C | FIG. |
|-------------|-----|----|--------|--------|--------|-----|----|-----|------|
| RGCK01D | 63 | 23 | 52 | 157 | 57 | 90 | 12 | 70 | 1 |
| RGCK01F (1) | 71 | 27 | 56 | 109 | 93 | 115 | 16 | 89 | 1 |
| RGCK01F (2) | 82 | 34 | 63 | 98 | 86 | 115 | 20 | 89 | 1 |
| RGCK01L (1) | 71 | 27 | 56 | 109 | 93 | 125 | 16 | 100 | 1 |
| RGCK01L (2) | 82 | 34 | 63 | 98 | 86 | 125 | 20 | 100 | 1 |
| RGCK01N (1) | 71 | 27 | 56 | 109 | 93 | 128 | 16 | 102 | 1 |
| RGCK01N (2) | 82 | 34 | 63 | 98 | 86 | 128 | 20 | 102 | 1 |
| RGCK01U | 120 | 63 | 101 | 185 | 55 | 165 | 25 | 132 | 2 |
| RGCK01Y | 120 | 63 | 101 | 185 | 55 | 165 | 25 | 140 | 2 |

RECTIFICADORES GUASCH, S.A.

Ciutat de Granada, 80
08005 BARCELONA
SPAIN

Se reserva el derecho de cambiar los límites, las condiciones de prueba y dimensiones indicadas en esta hoja sin previo aviso.
Reserves the right to change limits, test conditions and dimensions given in this data sheet at any time without previous notice.

Tel.: +34 93 309 88 91
Fax.: +34 93 300 18 41
e-mail: info@e-guasch.com
www.e-guasch.com

060330

ORDER CODE

RGCK01F 2200 / 180 / 120

(1) (2) (3) (4)

- 1- Type.
- 2- Nominal clamping force (Kgrs).
- 3- "L" dimension.
- 4- "T" dimension.

"L" and "T" dimensions depend on "M" value (total thickness of semiconductor and heatsinks), and is given by:

$$L=M+D \quad T=M+E$$

Adjust "L" to superior value in multiple of 5 mm. Adjust "T" to inferior value in multiple of 5 mm.
Maximum standard value of "L": 180 mm. (M8) / 250 mm. (M10). Maximum standard value of "T": 120 mm.
(other values on request)

SELECTION CHART

"L" VALUE VERSUS "M" DIMENSION

| TIPO/TYPE | "M" DIMENSION VALUE | | | | | | | | | | | | | | | |
|-------------|---------------------|-----|-----|-----|-----|-----|-----|-----|-----|-----|-----|-----|-----|-----|-----|-----|
| | 20 | 25 | 30 | 35 | 40 | 45 | 50 | 55 | 60 | 65 | 70 | 75 | 80 | 85 | 90 | 95 |
| RGCK01D | 85 | 90 | 95 | 100 | 105 | 110 | 115 | 120 | 125 | 130 | 135 | 140 | 145 | 150 | 155 | 160 |
| RGCK01F (1) | 95 | 100 | 105 | 110 | 115 | 120 | 125 | 130 | 135 | 140 | 145 | 150 | 155 | 160 | 165 | 170 |
| RGCK01F (2) | 105 | 110 | 115 | 120 | 125 | 130 | 135 | 140 | 145 | 150 | 155 | 160 | 165 | 170 | 175 | 180 |
| RGCK01L (1) | 95 | 100 | 105 | 110 | 115 | 120 | 125 | 130 | 135 | 140 | 145 | 150 | 155 | 160 | 165 | 170 |
| RGCK01L (2) | 105 | 110 | 115 | 120 | 125 | 130 | 135 | 140 | 145 | 150 | 155 | 160 | 165 | 170 | 175 | 180 |
| RGCK01N (1) | 95 | 100 | 105 | 110 | 115 | 120 | 125 | 130 | 135 | 140 | 145 | 150 | 155 | 160 | 165 | 170 |
| RGCK01N (2) | 105 | 110 | 115 | 120 | 125 | 130 | 135 | 140 | 145 | 150 | 155 | 160 | 165 | 170 | 175 | 180 |
| RGCK01U | 140 | 145 | 150 | 155 | 160 | 165 | 170 | 175 | 180 | 185 | 190 | 195 | 200 | 205 | 210 | 215 |
| RGCK01Y | 140 | 145 | 150 | 155 | 160 | 165 | 170 | 175 | 180 | 185 | 190 | 195 | 200 | 205 | 210 | 215 |

"T" VALUE VERSUS "M" DIMENSION

| TIPO/TYPE | "M" DIMENSION VALUE | | | | | | | | | | | | | | | |
|-------------|---------------------|----|----|----|-----|-----|-----|-----|-----|-----|-----|-----|-----|-----|-----|-----|
| | 20 | 25 | 30 | 35 | 40 | 45 | 50 | 55 | 60 | 65 | 70 | 75 | 80 | 85 | 90 | 95 |
| RGCK01D | 40 | 45 | 50 | 55 | 60 | 65 | 70 | 75 | 80 | 85 | 90 | 95 | 100 | 105 | 110 | 115 |
| RGCK01F (1) | 45 | 50 | 55 | 60 | 65 | 70 | 75 | 80 | 85 | 90 | 95 | 100 | 105 | 110 | 115 | 120 |
| RGCK01F (2) | 50 | 55 | 60 | 65 | 70 | 75 | 80 | 85 | 90 | 95 | 100 | 105 | 110 | 115 | 120 | 120 |
| RGCK01L (1) | 45 | 50 | 55 | 60 | 65 | 70 | 75 | 80 | 85 | 90 | 95 | 100 | 105 | 110 | 115 | 120 |
| RGCK01L (2) | 50 | 55 | 60 | 65 | 70 | 75 | 80 | 85 | 90 | 95 | 100 | 105 | 110 | 115 | 120 | 120 |
| RGCK01N (1) | 45 | 50 | 55 | 60 | 65 | 70 | 75 | 80 | 85 | 90 | 95 | 100 | 105 | 110 | 115 | 120 |
| RGCK01N (2) | 50 | 55 | 60 | 65 | 70 | 75 | 80 | 85 | 90 | 95 | 100 | 105 | 110 | 115 | 120 | 120 |
| RGCK01U | 80 | 85 | 90 | 95 | 100 | 105 | 110 | 115 | 120 | 120 | 120 | 120 | 120 | 120 | 120 | 120 |
| RGCK01Y | 80 | 85 | 90 | 95 | 100 | 105 | 110 | 115 | 120 | 120 | 120 | 120 | 120 | 120 | 120 | 120 |

MOUNTING CONSIDERATIONS

For mounting the clamps RGCK01 are used two threaded rods for the pressuring of (M8 or M10 according to type). It works by means of an elastic system that pressures the centre of the device.

The pressure force is attained tighten each screw by a quarter turn alternately until the indicator moves slightly.

060330

RECTIFICADORES GUASCH, S.A.

Ciutat de Granada, 80
08005 BARCELONA
SPAIN

Se reserva el derecho de cambiar los límites, las condiciones de prueba y dimensiones indicadas en esta hoja sin previo aviso.
Reserves the right to change limits, test conditions and dimensions given in this data sheet at any time without previous notice.

Tel.: +34 93 309 88 91
Fax.: +34 93 300 18 41
e-mail: info@e-guasch.com
www.e-guasch.com

**ANOTACIONES EN EL «DATASHEET» :**

RECTIFICADORES GUASCH, S.A. utiliza la siguiente anotación para identificar el estado del producto, en el lado izquierdo de la primera página:

PRELIMINARY TECHNICAL INFORMATION: El producto se encuentra en proceso de diseño y desarrollo. La información presenta los datos del producto pero algunas características pueden cambiar.

ADVANCED TECHNICAL INFORMATION: El producto se encuentra totalmente diseñado y las características se refieren a la fabricación en serie.

Sin anotación: Los parámetros del producto están fijados y se suministra de acuerdo con las especificaciones publicadas.

Los datos indicados en esta publicación corresponden a especificaciones de producto, queda excluida cualquier garantía expresa o implícita sobre sus propiedades o su aplicación, así como cualquier responsabilidad sobre daños directos o indirectos producidos por los materiales o resultantes de su aplicación. La empresa se reserva el derecho de realizar cambios en las especificaciones de los productos sin previo aviso. La información respecto a métodos de uso y aplicaciones se indica sólo como guía y no constituye garantía alguna de funcionamiento satisfactorio en un determinado equipo o aplicación. Es responsabilidad del usuario determinar la idoneidad del producto para su aplicación utilizando la información disponible y asegurarse de que la misma esta actualizada.

Cualquier nombre de producto o marca usada en esta publicación corresponde a marcas depositadas, marcas registradas o nombres protegidos por sus respectivos propietarios.

**DATASHEET ANNOTATIONS:**

RECTIFICADORES GUASCH, S.A. annotate datasheets in the left corner of the front page, to indicate product status:

PRELIMINARY TECHNICAL INFORMATION: The product is in design and development. The datasheet represents the product as it is understood but details may change.

ADVANCED TECHNICAL INFORMATION: The product design is complete and final characterisation for volume production is well in hand.

No Annotation: The product parameters are fixed and the product is available to datasheet specification.

The technical data are to specify components, not to guarantee their properties. No warranty or guarantee expressed or implied is made regarding delivery or performance. The Company reserves the right to alter without prior notice the specification of any product. Information concerning possible methods of use is provided as a guide only and does not constitute any guarantee that such methods of use will be satisfactory in a specific piece of equipment. It is the user's responsibility to fully determine the performance and suitability of any equipment using such information and to ensure that any publication or data used is up to date.

All brand names and product names used in this publication are trademarks, registered trademarks or trade names of their respective owners.

**DATASHEET ANNOTATIONS:**

RECTIFICADORES GUASCH, S.A. Indiqué dans la notice technique a la part inferieur à gauche le suivant pour vous informer de la situation du produits

PRELIMINARY TECHNICAL INFORMATION: Le produit est dans la conception et le développement. La notice technique représente le produit comme il a été conçu mais les détails peuvent changer.

ADVANCED TECHNICAL INFORMATION: La conception de produit est fini et la notice technique est comme il a été conçu pour la fabrication.

Sans annotation: La notice technique indique que le produit est selon la même

Les donne indiqués dans la notice technique sont conformément aux spécifications des composants, sont exclues toutes autres conditions ou garanties exprimées ou implicites concernant la qualité et le bon fonctionnement des matériels, ainsi que toute responsabilité pour les dommages causés directement ou indirectement par les matériels ou résultant de leur utilisation. Nous nous reservons la possibilité de changement sans notification. L'information à propos des méthodes possibles d'usage est fournie comme un guide conformément aux spécifications et instructions et ne constitue pas garantie que telles méthodes d'usage sera satisfaisant dans un morceau spécifique d'équipement. C'est la responsabilité de l'Acheteur déterminer l'exécution et l'aptitude du produit et s'assure qu'il a la dernière actualisation de la notice technique.

Des noms de marque et produit utilisés dans cette publication sont enregistrés et propriété de leurs propriétaires respectifs.

© RECTIFICADORES GUASCH, S.A.

DOCUMENTACION TECNICA, THECNICAL DOCUMENTATION, DOCUMENTATION TECHNIQUE
PRODUCIDO EN ESPAÑA, PRODUCED IN SPAIN, PRODUIT EN ESPAGNA
PROHIBIDA SU VENTA, NOT FOR SALE, PAS A VENDRE

Your Needs, Our Solutions

RECTIFICADORES GUASCH, S.A.

Ciutat de Granada, 80
08005 BARCELONA
SPAIN

Se reserva el derecho de cambiar los límites, las condiciones de prueba y dimensiones indicadas en esta hoja sin previo aviso.
Reserves the right to change limits, test conditions and dimensions given in this data sheet at any time without previous notice.

Tel.: +34 93 309 88 91
Fax.: +34 93 300 18 41
e-mail: info@e-guasch.com
www.e-guasch.com