

**Preliminary Information**

**FEATURES**

- Ball bearing.
- Class F, thermally protected.
- IP44 protection
- G2.5 Balancing
- Scroll housing: black paint
- Galvanized steel impeller
- With 400 mm. heat sink adaptor.
- Integrated capacitor.

**APPLICATION**

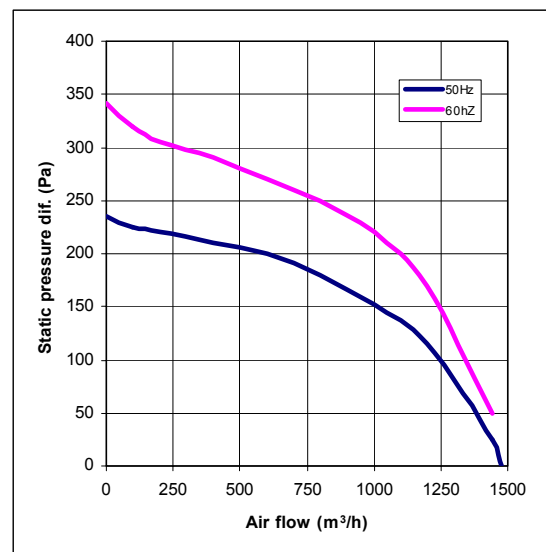
- Forced cooling of 83x400 mm. heat sinks.
- Rectifiers, IGBT inverters, power electronics equipment.



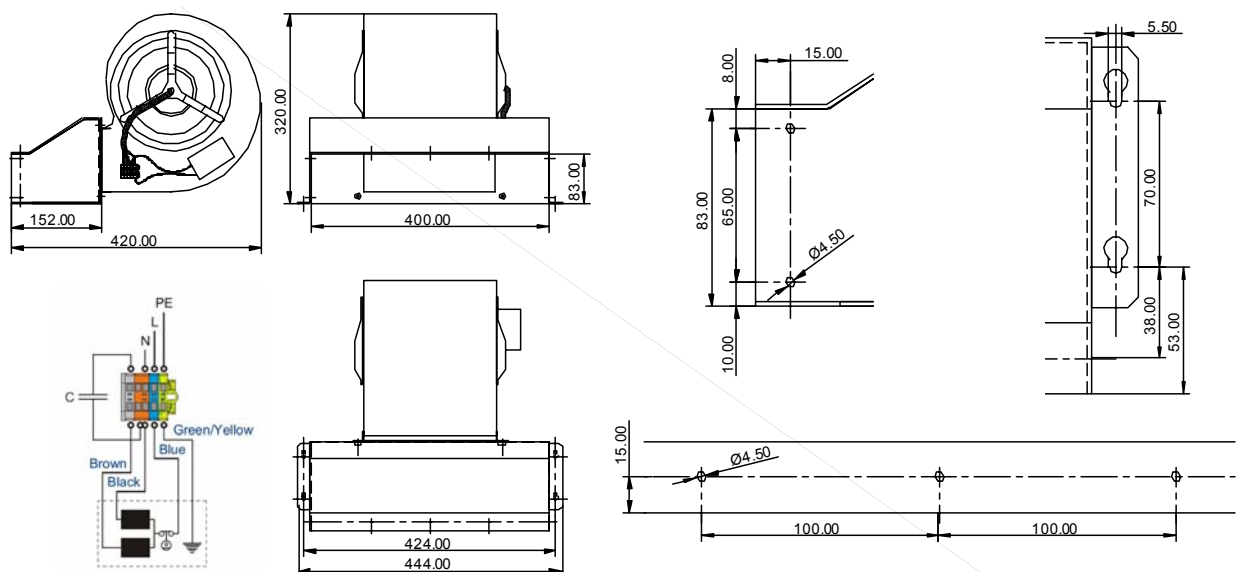
Photo non-contractual

**CHARACTERISTICS**

	50Hz	60Hz
Voltage	230 V <sub>AC</sub>	
Power	251 W.	309 W.
Current	1,11 A.	1,36 A.
Air flow	1475 m <sup>3</sup> /h	1440 m <sup>3</sup> /h
R.P.M.	1170	1255
Noise	58 dB	
Operating temp.	-20 to 50 °C	



**DIMENSIONS**



091111 Rev.:0

Reserves the right to change limits, test conditions and dimensions given in this data sheet at any time without previous notice.

---

## Cost Effective Products

### SEMICODE ELECTRONICA

offers to the market a comprehensive range of products from recognized manufacturers at the best price/quality relationship, this products are provided with a basic reference code that allows maintaining the same product reference even if the original device manufacturer is replaced. SEMICODE product reference has to be considered as a generic brand.

Seeking the market needs and trends, we are constantly increasing the product portfolio with new products and suppliers, please ask for the updated information available to our local contacts.

SEMICODE products include semiconductors, passive components and accessories focused in power electronics market.

#### Datasheet Annotations:

**SEMICODE ELECTRONICA** annotate datasheets in the top left hard corner of the front page, to indicate product status. The annotations are as follows:

**Tentative information:** This is the most tentative form of information and represents a very preliminary specification. No actual design work on the product has been started.

**Preliminary Information:** The product is in design and development. The datasheet represents the product as it is understood but details may change.

**Advance Information:** The product design is complete and final characterisation for volume production is well in hand.

**No Annotation:** The product parameters are fixed and the product is available to datasheet specification.

NOTICE: The technical data are to specify components, not to guarantee their properties.No warranty or guarantee expressed or implied is made regarding delivery or performance. The Company reserves the right to alter without prior notice the specification of any product. Information concerning possible methods of use is provided as a guide only and does not constitute any guarantee that such methods of use will be satisfactory in a specific piece of equipment. It is the user's responsibility to fully determine the performance and suitability of any equipment using such information and to ensure that any publication or data used is up to date.

All brand names and product names used in this publication are trademarks, registered trademarks or trade names of their respective owners.

© SEMICODE ELECTRONICA 2008. TECHNICAL DOCUMENTATION – NOT FOR RESALE

091111 Rev.:0